

ACCESSORIES

	Designation
	Bracket 70mm including magnet Ø32mm
	Magnet with M5 thread and pin, Ø32mm
	Magnet with M5 thread and pin, Ø25mm
	Magnet with M6 thread and pin, Ø32mm
	Magnet with screw hook, Ø25mm
	Magnet with screw hook, Ø32mm
	Magnet with M5 thread without pin, Ø32mm
	Distance 45 mm with threaded bar, slot nut and magnet Ø32mm
	Mounting kit with chains and magnets with screw hook



Bracket including magnet

Magnets



Distance including magnet

Chains and magnets with screw hook

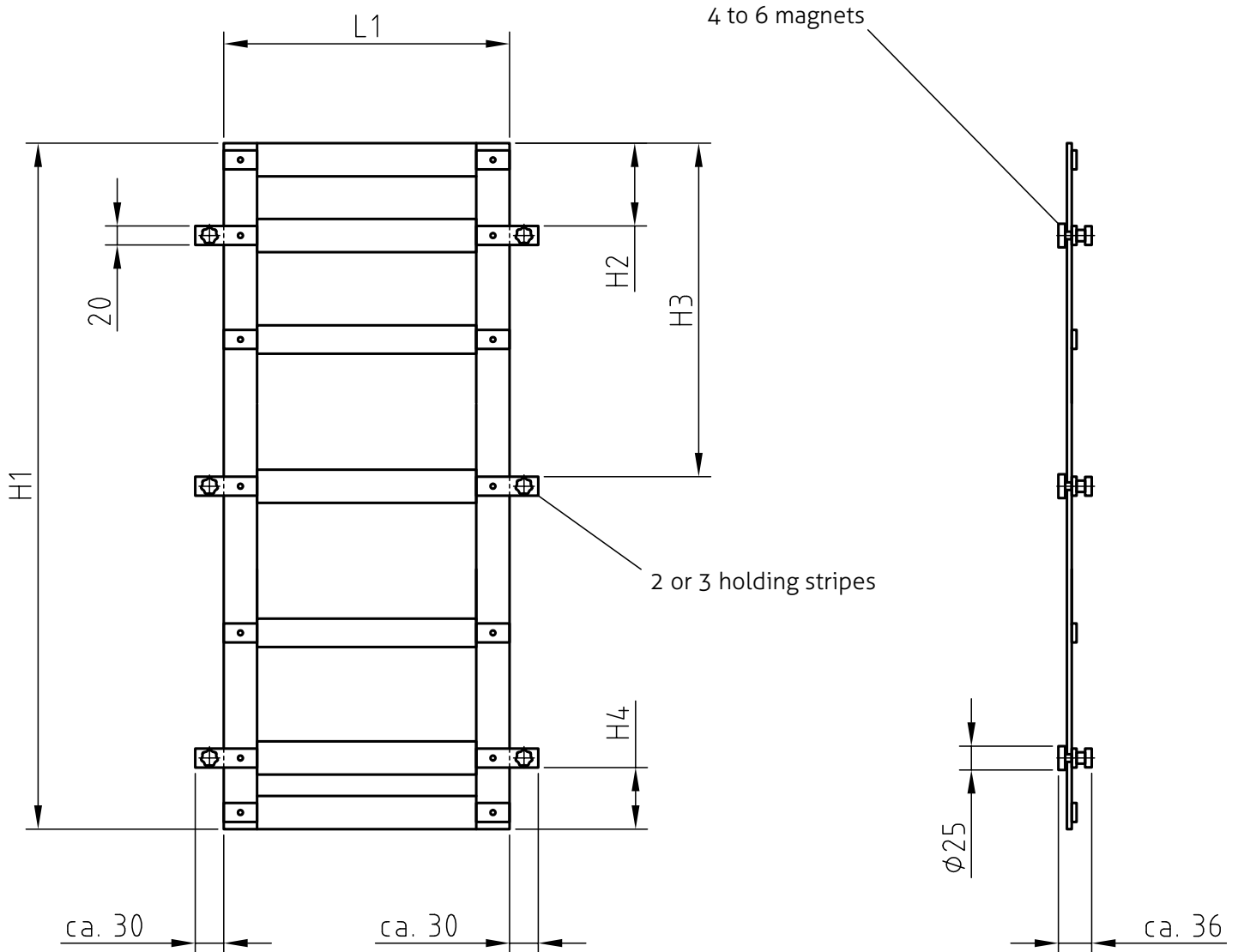


INQUIRY

FOLDING CURTAIN FS

Company
Street, No.
ZIP
City

Contact person
Phone
Mail
Quantity (piece)



Length

L1= mm

Height

H1= mm

Height of holding stripe 1

H2= mm

Height of holding stripe 2 (just for total height > 300 mm)

H3= mm

Height of holding stripe 3

H4= mm

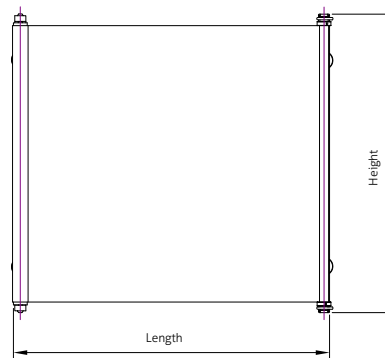
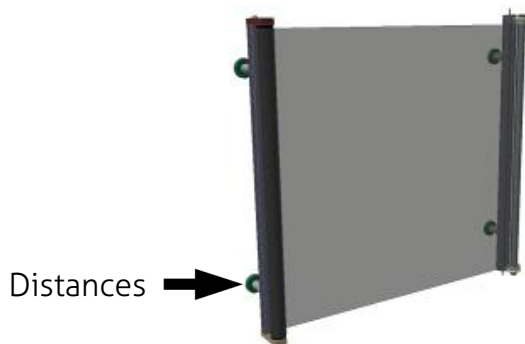
INQUIRY SIDE PROTECTION CURTAIN RS (STANDARDS)

Company
Street, No.
ZIP
City

Contact person
Phone
Mail

Please choose one of the **standards** below.

If there is no size which fit your requirements best, please fill out the form for specific sizes.



Quantity [piece]	Article number	Height [mm]	Length [mm]	Distances [mm]	Material	
					FM100.007 anthracite	FM100.008 white, FDA
		235	550	45		
		235	750	45		
		295	550	45		
		295	750	45		
		335	550	45		
		335	750	45		
		380	550	45		
		380	750	45		
		435	550	45		
		435	750	45		
		535	550	45		
		535	750	45		
		635	550	45		
		635	750	45		

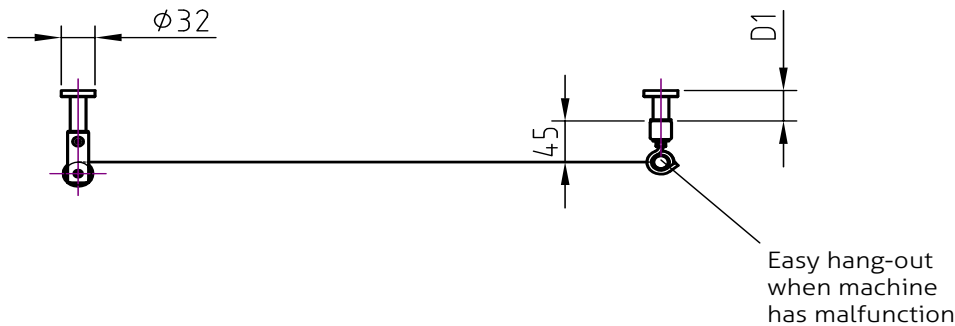
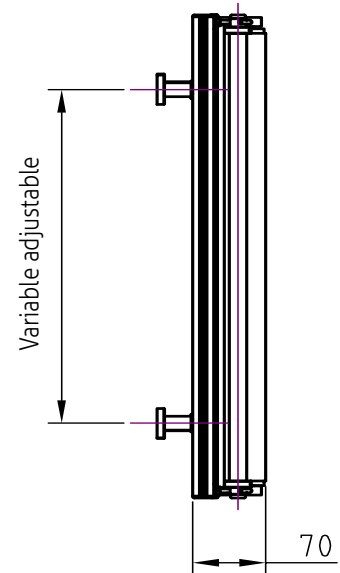
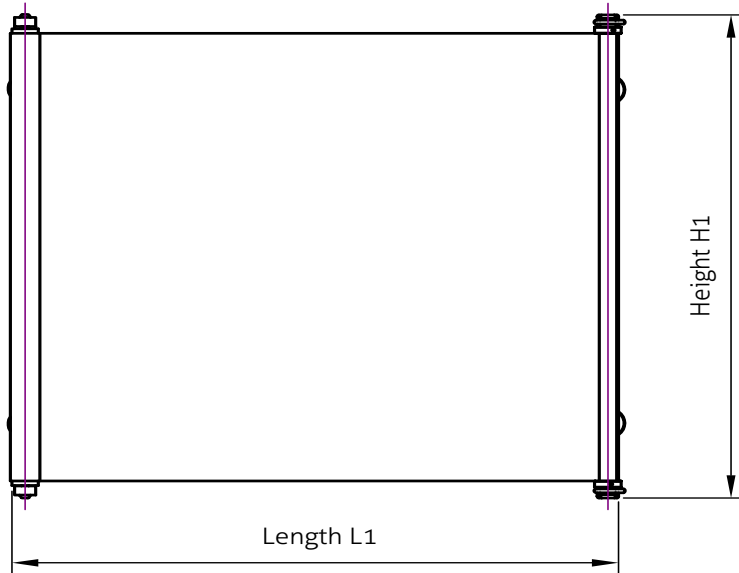
Options:

- Handles (left & right) for better handling during assembly / disassembly of the curtain
- Side protection plates (left & right) to close the gap between tool and curtain
- Floating bearing to compensate non parallel assamby of the curtain to reduce abrasion

INQUIRY SIDE PROTECTION CURTAIN RS (SPECIFIC SIZE)

Company
Street, No.
ZIP
City

Contact person
Phone
Mail
Quantity (piece)



Length	L1=	mm
Height	H1=	mm
Distance to the tool (min. 8 mm magnetheight)	D1=	mm

Options:

- Handles (left & right) for better handling during assembly / disassembly of the curtain
- Side protection plates (left & right) to close the gap between tool and curtain
- Floating bearing to compensate non parallel assamby of the curtain to reduce abrasion

Material:

color (anthracite)

color (white, FDA)